

# Ultraviolet System

**OWNER'S GUIDE**



**Contents**

How Your Ultraviolet Air Treatment System or Surface Treatment System Works .....	2
Be Sure to Read Warnings and Cautions Before Installing or Using Your UV System .....	3
How to Install Your Ultraviolet System .....	4
How You Can Check Your Ultraviolet System .....	7
How You Can Maintain Your UV System .....	7



**IMPORTANT**

*Please read these instructions and keep them in your records.*

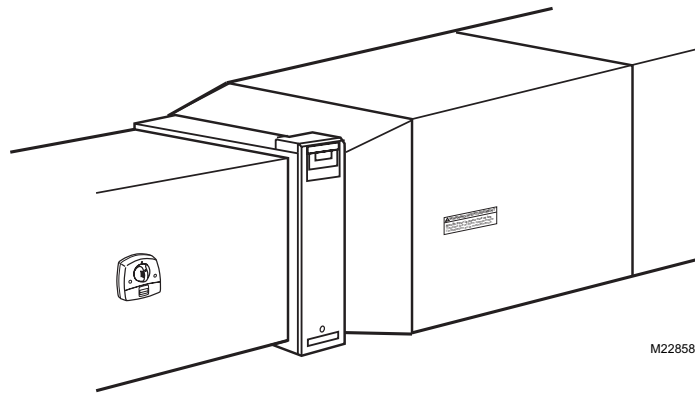
## HOW YOUR ULTRAVIOLET AIR TREATMENT SYSTEM OR SURFACE TREATMENT SYSTEM WORKS

Depending on installation, your Ultraviolet System can operate as an Air Treatment System or as a Surface Treatment System.

### Air Treatment System

Installed in the return air duct of your system, your Ultraviolet Air Treatment System kills a high percentage of airborne germs circulating through your forced air heating and cooling

system. Individual results depend on careful installation and maintenance and on the actual amount of time your system fan operates. See Fig. 1.

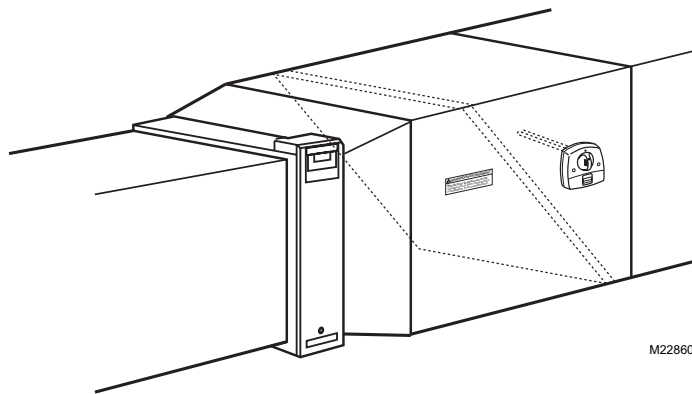
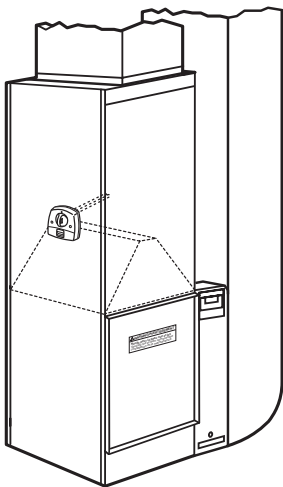


**Fig. 1. Typical Air Treatment System installations.**

### Surface Treatment System

When installed next to the cooling coil of your system, your Ultraviolet Surface Treatment System prevents a high percentage of the growth of micro-organisms such as mold

that may grow on duct surfaces, coils, and drain pans. Individual results depend on careful installation and maintenance. See Fig. 2.



**Fig. 2. Typical surface treatment installations.**

You can capture and minimize micro-organisms passing through your forced air system when you combine your UV System with a high-efficiency air filtration system like an electronic air cleaner. Talk to your local heating and cooling

contractor about adding an electronic air cleaner to complement your UV System and provide added protection for you and your family.

## BE SURE TO READ WARNINGS AND CAUTIONS BEFORE INSTALLING OR USING YOUR UV SYSTEM



### WARNING

**UV Light Hazard.**  
**Harmful to bare skin and eyes.**  
**Can cause temporary or permanent loss of vision.**  
 Never look at bulbs while illuminated.  
 View illumination only through light indicator located on lamp handle.  
 To prevent exposure to ultraviolet light, disconnect power to Ultraviolet System before servicing any part of heating and air conditioning system.  
 Do not mount device in location that allows ultraviolet light to be seen after installation.  
 Do not attempt to bypass duct mount switch.  
 Do not attempt to open housing; unit is sealed to prevent ultraviolet light exposure.

### CAUTION

**Personal Injury Hazard.**  
**Power supply can cause electrical shock.**  
 Disconnect power supply before cleaning or replacing ultraviolet bulb(s).  
 Do not open base unit or lamp handle; there are no user-serviceable components inside.

### CAUTION

**Breakable Glass Hazard.**  
**Can cause personal injury.**  
 Be careful when inserting bulb(s) into lamp base.  
 Wear protective gloves when handling bulb(s).



### CAUTION

**UV Lamp Burn Hazard.**  
**Harmful to bare skin.**  
**Can cause severe burns.**  
 Disconnect power 15 minutes before removing the ultraviolet bulb(s).



### MERCURY NOTICE

This device contains mercury in the sealed ultraviolet bulb(s). Do not place your used bulb(s) in the trash. Dispose of properly.

**Broken Bulb Cleanup.**  
**Do not use a household vacuum.**  
 Sweep debris (phosphor/glass) into a plastic bag and dispose of properly.  
 Contact your local waste management authority for instructions regarding recycling and the proper disposal of old bulb(s).



### CAUTION

**Equipment Damage Hazard.**  
**Ultraviolet light can cause color shift or structural degradation of plastic HVAC materials.**  
 Select mounting location that prevents exposure to plastic components with *unknown resistance to ultraviolet light*. Three-foot minimum is recommended between ultraviolet lamp and plastic-fabricated devices (such as wires and non-fiberglass media filters).

NOTE: Most drain pans and humidifiers are UV-C resistant. Consult Honeywell's UV exposure white paper, Form No. 50-8788.



### CAUTION

**Sharp Edges Hazard.**  
**Can cause personal injury.**  
 Be careful when inserting ultraviolet device into the sheet metal cutout.  
 Wear protective gloves when working near sheet metal.

## HOW TO INSTALL YOUR ULTRAVIOLET SYSTEM

### When Installing this Product...

1. Read these instructions carefully. Failure to follow them could damage the product or cause a hazardous condition.
2. After installation is complete, check out product operation as provided in these instructions.

### Selecting Mounting Location

Depending on installation location, the UV System can operate as an Air Treatment System or as a Surface Treatment System.

1. The UV System can be mounted in any orientation.
2. Choose a location that is readily accessible for regular inspection and cleaning.
3. The UV Air Treatment System requires an easily-accessible, flat mounting surface on the metal return air duct of the HVAC system. The UV Surface Treatment System requires an easily-accessible, flat mounting surface on the metal supply air duct of the HVAC system. The

UV Surface Treatment System must be located so the lamp surrounds the evaporator coil and drip pan with ultraviolet light.

4. The duct mounting location must be a minimum of 8 in. wide. See Fig. 3.
5. The depth of the duct must accommodate the full length of the ultraviolet bulb as shown in Fig. 3.
6. The unit should be located as far away as possible from any rubber or plastic components, such as isolators, in the duct.

#### IMPORTANT

*If mounting options are limited, protect plastic or rubber materials listed in CAUTION with ultraviolet-resistant material such as aluminum foil duct tape.*

7. The space adjacent to the mounting location must be large enough to allow for ultraviolet bulb installation and removal.
8. A 120V electrical outlet must be within range of the unit to plug in the power cord.

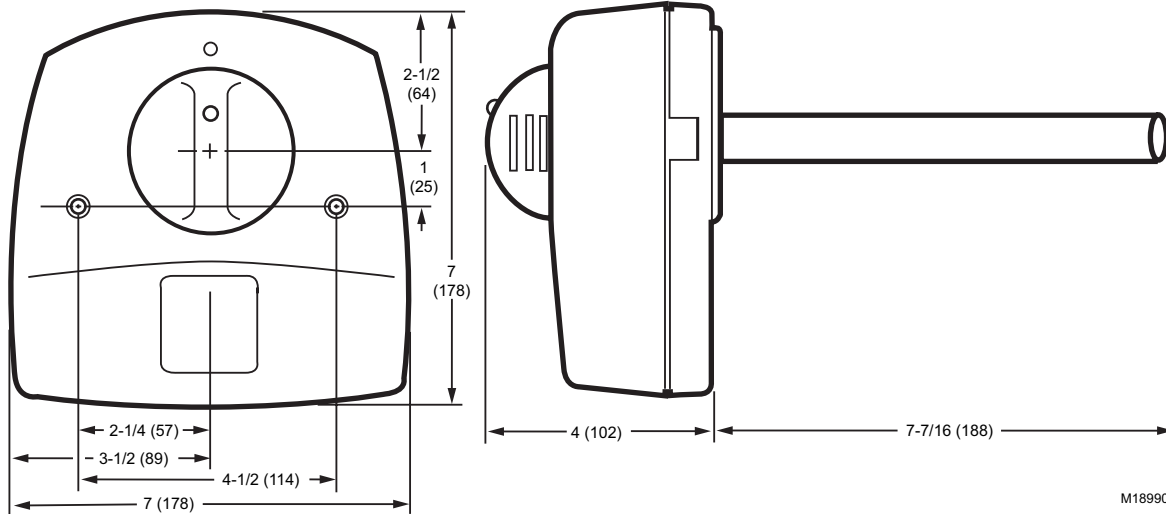


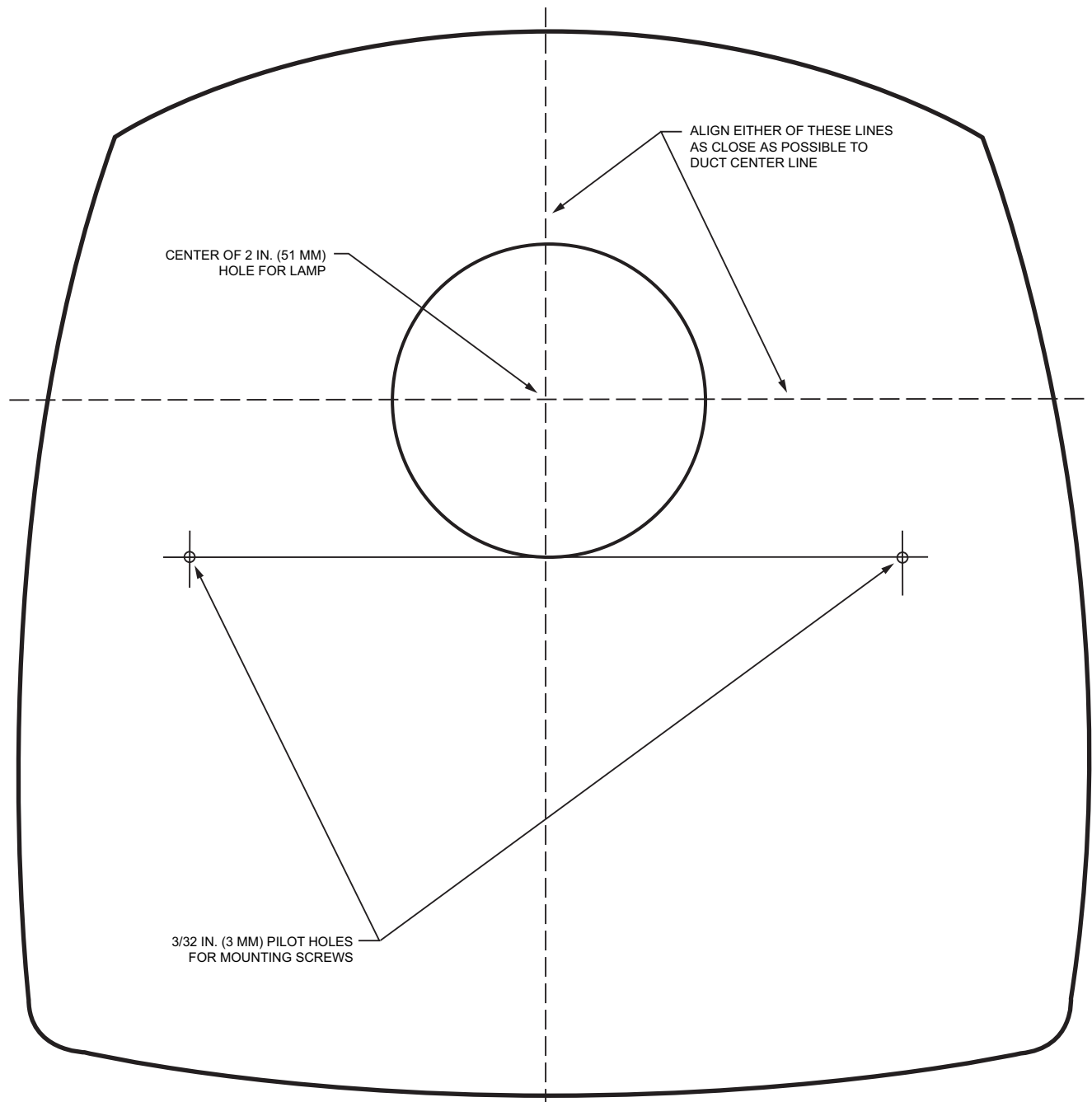
Fig. 3. Ultraviolet System dimensions in in. (mm).

### Duct Mounting

Use the following instructions to mount the UV System on the air duct of an HVAC system:

1. Disconnect power to the HVAC system before installing the UV System.

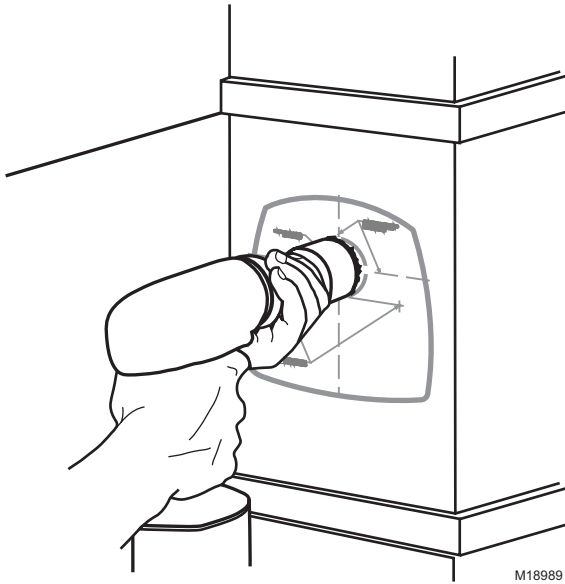
2. Tape the template (Fig. 4) on the duct surface, centering the bulb hole on the duct.
3. Cut the 2 in. bulb hole in the duct. See Fig 5. Remove any burrs.



M18991

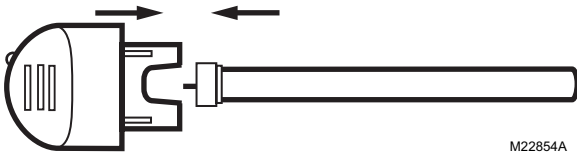
**Fig. 4. Ultraviolet System template.**

4. Use a 3/32 in. drill to provide pilot holes for the mounting screws.
5. Be sure the duct surface is flat after all holes are drilled.
6. Position the entire base unit on the duct. Be sure the bulb holes in the duct align with those in the unit to allow bulb insertion.
7. Install the unit on to the duct using the two no.10, 2 in. Phillips head sheet metal mounting screws provided.
8. Tighten the screws so the space between the case and duct is sealed.



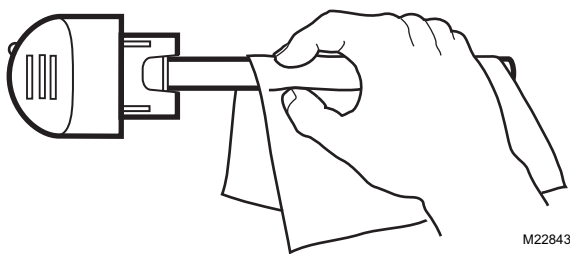
**Fig. 5. Cut the bulb hole in the duct.**

9. Insert the new lamp glass into the lamp handle by aligning the key and pushing straight together. See Fig. 6.



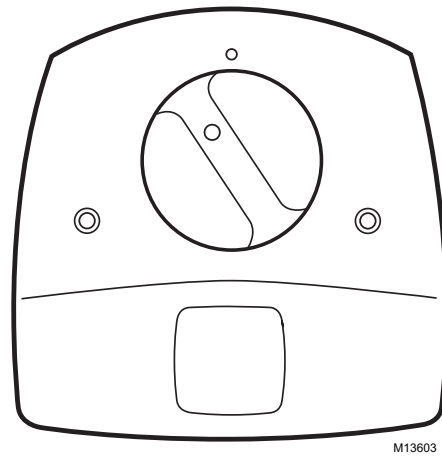
**Fig. 6. Place lamp glass in lamp handle.**

10. If you touch the lamp glass with your hands, use a cloth to wipe fingerprints from the glass. See Fig. 7.



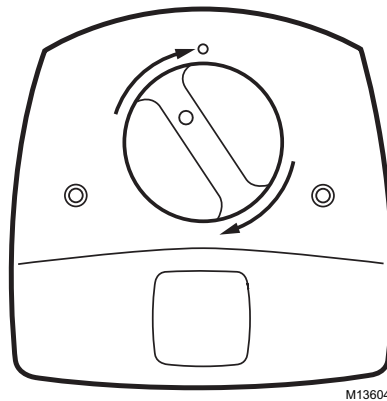
**Fig. 7. Use cloth to wipe fingerprints from glass.**

11. Insert the bulb into the base unit with the lamp light indicator at the eleven o'clock position (left of the raised button on the unit cover). See Fig. 8.
12. Continue lightly pushing in on the lamp handle while rotating it slowly counterclockwise. This should cause the lamp handle to drop into the bottom of the lamp well.



**Fig. 8. Insert bulb into base unit.**

13. Rotate the lamp handle clockwise until it snaps into place with the lamp indicator light aligned with the raised button on the unit cover. See Fig. 9.



**Fig. 9. Snap lamp into place.**

14. Plug the cord into the nearby 120 Vac electrical outlet.
15. Reconnect the power to the HVAC system.
16. Choose a location on the adjacent HVAC equipment for the HVAC maintenance label included in the air treatment system packing box. Choose a location that a future service technician can easily see during any future HVAC maintenance or repair.
17. Adhere the HVAC maintenance safety label to the HVAC equipment (selected in step 16) such as the furnace access door, air cleaner or humidifier. See Fig. 10.

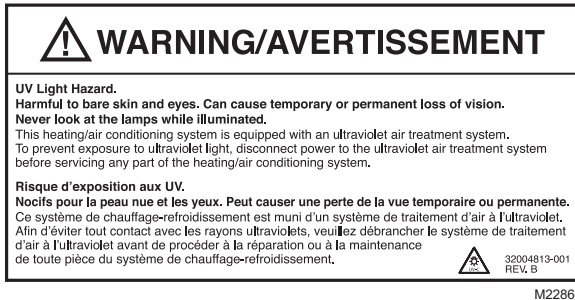


Fig. 10. HVAC maintenance UV safety label.

## HOW YOU CAN CHECK YOUR ULTRAVIOLET SYSTEM

Your UV System is designed to prevent accidental contact with electrical voltage and with ultraviolet rays in the sealed unit—the ultraviolet lamp does not illuminate unless the base is mounted on your forced air system duct.

It is recommended that every month you verify that your ultraviolet lamp is operating. *View the bulb only through the lamp light indicator on the lamp handle. See Fig. 11. Do not attempt to look into the duct at the illuminated bulb(s).*

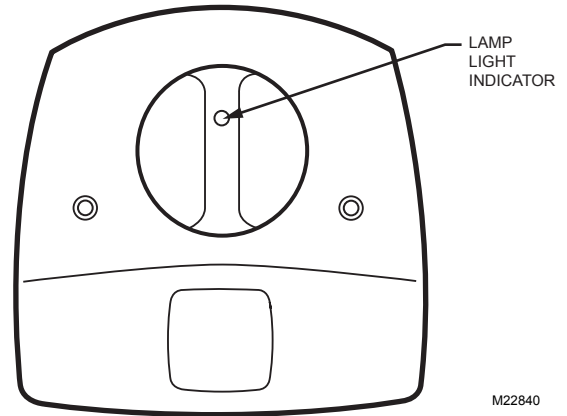


Fig. 11. Lamp light indicator.

## HOW YOU CAN MAINTAIN YOUR UV SYSTEM

You should regularly clean your UV System to maintain peak effectiveness of your air treatment or surface treatment system. Replace the ultraviolet bulb once a year.

### Quarterly Bulb Cleaning

Bulb cleaning is recommended as routine maintenance four times a year or every three months. Use the UV Bulb Cleaning Reminder Schedule, Fig. 12, to help establish and track your regular cleaning schedule.

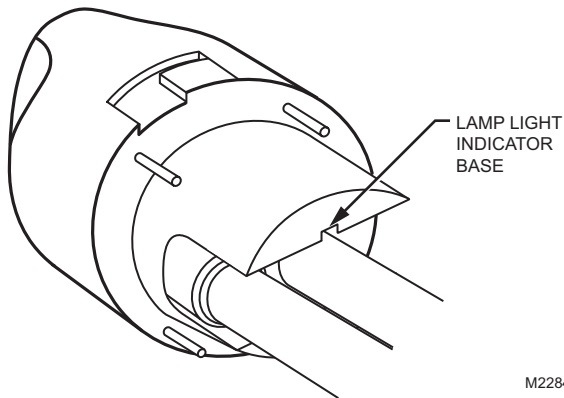
To clean your bulb(s):

1. Disconnect the power to your heating and cooling system.
2. Unplug or turn off power to your UV System and allow the bulb(s) to cool for at least 15 minutes.
3. Rotate your lamp handle counterclockwise and gently pull the lamp handle to remove the bulb. See Fig. 13.



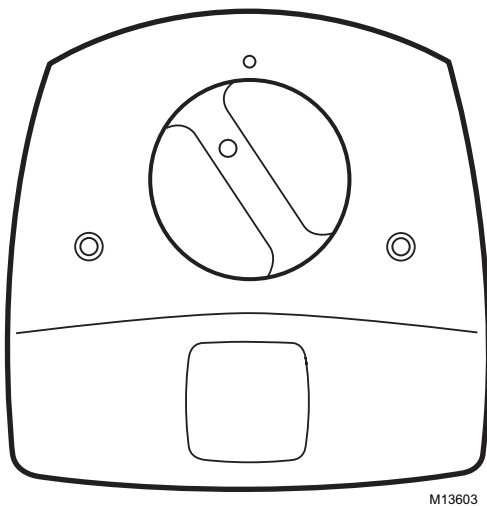


- Also wipe away any dust that may have collected between the lamp light indicator on the base and the black bulb base. See Fig. 15.



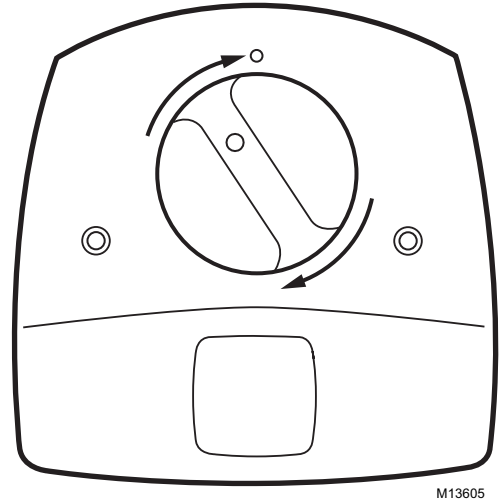
**Fig. 15. Wipe lamp light indicator base.**

- Dry bulb with a clean, dry cloth.
- Insert the bulb into the base with the lamp light indicator at the eleven o'clock position. Continue pushing and gently rotating counterclockwise until the lamp handle inserts fully into the base. See Fig. 16.



**Fig. 16. Position bulb for insertion back into the lamp base.**

- Rotate the lamp handle clockwise until it snaps into place with the lamp light indicator aligned with the raised button on the unit cover. See Fig. 17.
- Reconnect power to your UV System.
- Verify that your ultraviolet bulbs are operating by viewing only through the lamp light indicator on the lamp handle. Never look directly at your bulb while it is illuminated.
- Reconnect power to your heating and cooling system.

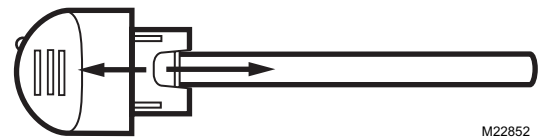


**Fig. 17. Snap bulb into place.**

## Bulb Replacement

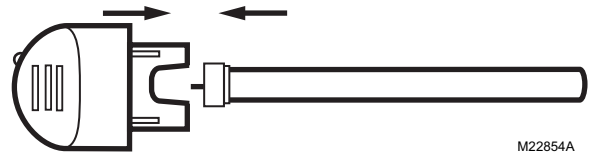
Annual replacement of the bulb in your ultraviolet lamp is required to maintain effectiveness.

- Obtain the replacement bulb (Part No. RUVBULB1) for your unit from your retailer.
- Disconnect the power to your heating and cooling system.
- Unplug or turn off power to your UV System and allow lamps to cool for at least 15 minutes.
- Rotate the lamp handle counterclockwise and gently pull the lamp handle to remove the bulb. See Fig. 13.
- Grasp the lamp handle in one hand and the lamp glass in the other and pull straight apart. See Fig. 18.



**Fig. 18. Disconnect lamp glass from lamp handle.**

- Insert the new lamp glass into the lamp handle by aligning the key and pushing straight together. See Fig. 19.



**Fig. 19. Replace lamp glass in lamp handle.**

- If you touch the lamp glass with your hands, use a cloth to wipe fingerprints from the glass. See Fig. 7

## ULTRAVIOLET SYSTEM

8. Insert the bulb into the base with the lamp light indicator at the eleven o'clock position. Continue pushing and gently rotating counterclockwise until the lamp handle inserts fully into the base. See Fig 16.
9. Rotate the lamp clockwise until it snaps into place with the lamp light indicator aligned with the raised button on the unit cover. See Fig. 17.
10. Reconnect power to your UV System.
11. Verify that your ultraviolet bulb is operating by viewing only through the lamp light indicator on the lamp handle. Never look directly at your bulb while it is illuminated.
12. Reconnect power to your heating and cooling system.

## Limited Warranty

Honeywell warrants this product, excluding bulbs, to be free from defects in the workmanship or materials, under normal use and service, for a period of one (1) year from the date of purchase by the consumer. If, at any time during the warranty period, the product is defective or malfunctions, Honeywell shall repair or replace it (at Honeywell's option) within a reasonable period of time.

If the product is defective, return it, with a bill of sale or other dated proof of purchase, to the retailer from which you purchased it.

This warranty does not cover removal or reinstallation costs. This warranty shall not apply if it is shown by Honeywell that the defect or malfunction was caused by damage which occurred while the product was in the possession of a consumer.

Honeywell's sole responsibility shall be to repair or replace the product within the terms stated above. HONEYWELL SHALL NOT BE LIABLE FOR ANY LOSS OR DAMAGE OF ANY KIND, INCLUDING ANY INCIDENTAL OR CONSEQUENTIAL DAMAGES RESULTING, DIRECTLY OR INDIRECTLY, FROM ANY BREACH OF ANY WARRANTY, EXPRESS OR IMPLIED, OR ANY OTHER FAILURE OF THIS PRODUCT. Some states do not allow the exclusion or limitation of incidental or consequential damages, so this limitation may not apply to you.

THIS WARRANTY IS THE ONLY EXPRESS WARRANTY HONEYWELL MAKES ON THIS PRODUCT. THE DURATION OF ANY IMPLIED WARRANTIES, INCLUDING THE WARRANTIES OF MERCHANTABILITY AND FITNESS FOR A PARTICULAR PURPOSE, IS HEREBY LIMITED TO THE ONE YEAR DURATION OF THIS WARRANTY. Some states do not allow limitations on how long an implied warranty lasts, so the above limitation may not apply to you.

This warranty gives you specific legal rights, and you may have other rights which vary from state to state.

If you have any questions concerning this warranty, please write Honeywell Customer Relations, 1985 Douglas Dr. N MN10-1461, Golden Valley, MN 55422 or call 1-800-468-1502, Monday-Friday, 7:00 a.m. to 5:30 p.m., Central time. In Canada, write Honeywell Limited/Honeywell Limitée, 35 Dynamic Dr., ON15, Toronto, Ontario M1V4Z.

## Honeywell

Choose better indoor air for your family by installing Honeywell solutions. You'll enhance your comfort and peace of mind.



### Ultraviolet Systems

**Zap** airborne germs and prevent mold spore growth on air conditioning coils



### Whole-House Air Cleaners

**Trap** a high percentage of airborne particles of the air passing through it



### Whole-House Humidifiers

**Moisturize** air—humidity is ideal for minimizing adverse health effects



### Zoning Systems

**Control** temperature by area in your home, saving energy and improving comfort



### PerfectWindow® Air Exchangers

**Ventilate** your home to assure fresh air while minimizing energy loss



### Programmable Thermostats

**Save** up to 30% in annual energy costs with this easy-to-use thermostat\*

\*depending on geography and usage

M18621B

### Automation and Control Solutions

Honeywell International Inc.  
1985 Douglas Drive North  
Golden Valley, MN 55422  
customer.honeywell.com

Honeywell Limited-Honeywell Limitée  
35 Dynamic Drive  
Toronto, Ontario M1V 4Z9



## Systeme à rayons ultraviolets

MODE D'EMPLOI



### Table des matières

Comment fonctionne votre système de traitement d'air ou de surfaces aux rayons ultraviolets .....	14
À lire sans faute : avertissement et mises en garde à respecter avant d'installer votre système UV .....	15
Comment installer le système à rayons ultraviolets .....	16
Comment vérifier le système à rayons ultraviolets .....	19
Comment entretenir le système à rayons ultraviolets .....	19

**IMPORTANT**

*Veillez lire le présent mode d'emploi et le conserver.*

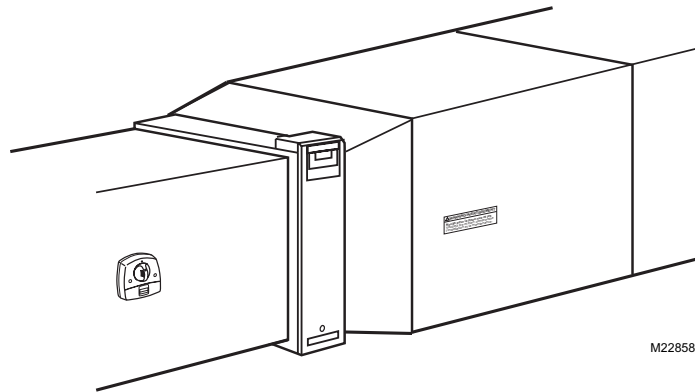
## COMMENT FONCTIONNE VOTRE SYSTÈME DE TRAITEMENT D'AIR OU DE SURFACES AUX RAYONS ULTRAVIOLETS

Selon l'installation, le système à rayons ultraviolets peut servir de traitement d'air ou de système de traitement de surfaces.

### Système de traitement d'air

S'il est installé dans la gaine de reprise d'air de votre système, le système de traitement à rayons ultraviolets élimine un grand pourcentage des microbes contenus dans l'air qui circule à travers le système de chauffage et de

refroidissement à air pulsé. Les résultats obtenus par votre système en particulier reposent sur une installation adéquate et un bon entretien, ainsi que sur la durée réelle de fonctionnement du ventilateur du système. Voir la Fig. 1.

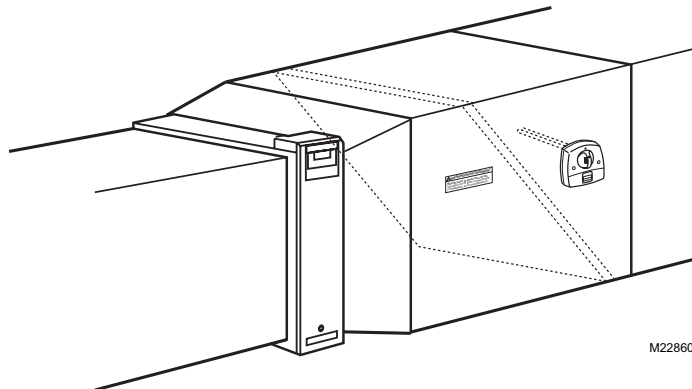
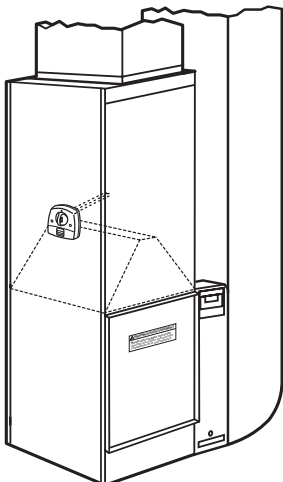


**Fig. 1. Installations types du système de traitement d'air.**

### Système de traitement de surfaces

Lorsqu'il est installé à proximité du serpentin de refroidissement, le système de traitement à rayons ultraviolets empêche la croissance d'un grand pourcentage de micro-organismes tels que les moisissures qui croissent parfois sur

la surface des serpentins et des bacs à condensats. Les résultats obtenus par votre système en particulier reposent sur une installation adéquate et un bon entretien. Voir la Fig. 2.



**Fig. 2. Installations types de système de traitement de surfaces.**

Il est possible de réduire au minimum la présence de micro-organismes dans votre système à air pulsé en combinant le système de traitement à rayons ultraviolets à un système de filtration à haute efficacité, tel qu'un filtre à air électronique. Informez-vous auprès de votre entrepreneur local en

chauffage-refroidissement de la possibilité d'ajouter un filtre à air électronique à votre système de traitement à rayons ultraviolets afin d'offrir une protection accrue à votre famille comme à vous-même.

## À LIRE SANS FAUTE : AVERTISSEMENT ET MISES EN GARDE À RESPECTER AVANT D'INSTALLER VOTRE SYSTÈME UV



### AVERTISSEMENT

**Danger : lampe UV.**

**Les rayons sont nocifs pour la peau et les yeux. Ils peuvent provoquer la perte temporaire ou permanente de la vue.**

Ne jamais regarder l'ampoule lorsqu'elle est allumée. L'indicateur de la lampe, situé sur la poignée, sert à vérifier si l'ampoule est allumée.

Pour éviter l'exposition aux rayons ultraviolets, couper l'alimentation au système UV avant de procéder à l'entretien de toute pièce du système de chauffage et conditionnement d'air.

Ne pas installer l'appareil dans un endroit où la lampe UV peut être visible une fois l'installation terminée.

Ne pas tenter de contourner l'interrupteur monté sur la gaine.

Ne pas tenter d'ouvrir le boîtier : l'appareil est scellé pour éviter toute exposition aux rayons ultraviolets.



### MISE EN GARDE

**Risque de blessure.**

**Peut provoquer des chocs électriques.**

Couper l'alimentation électrique avant de procéder à l'entretien ou de remplacer l'ampoule ou les ampoules à rayons ultraviolets.

Ne pas ouvrir l'unité de base ou la poignée de la lampe; les composants qui s'y trouvent ne peuvent pas être entretenus par l'utilisateur.



### MISE EN GARDE

**Danger : verre fragile.**

**Peut provoquer des blessures.**

Insérer l'ampoule dans la base avec précautions.

Porter des gants de protection au moment de manipuler l'ampoule.



### MISE EN GARDE

**Risque de brûlure par rayons ultraviolets.**

**Nocif pour la peau nue.**

**Peut provoquer des brûlures graves.**

Couper l'alimentation électrique 15 minutes avant de retirer l'ampoule à rayons ultraviolets.



### AVIS SUR LE MERCURE

Cet appareil contient du mercure scellé dans une ampoule à rayons ultraviolets. Ne pas jeter l'ampoule aux poubelles après usage. L'éliminer correctement.

**Comment nettoyer une ampoule cassée.**

**Ne pas utiliser d'aspirateur domestique.**

Balayer les débris (phosphore/verre) dans un sac de plastique et en disposer correctement.

Communiquer avec le service local de cueillette des déchets pour obtenir de l'information sur le recyclage ou sur la bonne façon de disposer des ampoules.



### MISE EN GARDE

**Risque de dommage matériel.**

**Les rayons ultraviolets peuvent provoquer une décoloration ou une dégradation structurelle des composants de CVCA en plastique.**

En prévision de l'installation du système, choisir un emplacement où des composants de plastique dont la résistance aux rayons ultraviolets est inconnue ne risquent pas d'être exposés aux rayons. Il est recommandé de laisser un espace d'au moins 90 cm (3 pieds) entre la lampe à rayons ultraviolets et les appareils composés de plastique (tels que les filtres et les filtres à fibres autres que la fibre de verre).

REMARQUE : La plupart des bacs à condensats et des humidificateurs résistent aux rayons ultraviolets. Consulter le livre blanc de Honeywell sur l'exposition aux rayons ultraviolets, publication 50-8788.



### MISE EN GARDE

**Bordures coupantes.**

**Peut provoquer des blessures.**

Agir avec précaution au moment d'insérer l'appareil à rayons ultraviolets à travers la découpe pratiquée dans la tôle.

Porter des gants de protection avant de travailler à proximité de la tôle.

## COMMENT INSTALLER LE SYSTÈME À RAYONS ULTRAVIOLETS

### Avant d'installer ce produit...

1. Lire attentivement les instructions. Le fait de ne pas les suivre risque d'endommager le produit ou de constituer un danger.
2. Une fois l'installation terminée, vérifier le fonctionnement du produit comme l'indiquent les présentes instructions.

### Choix de l'emplacement

Selon l'installation, le système à rayons ultraviolets peut servir de système de traitement d'air ou de système de traitement de surfaces.

1. Le système de traitement d'air à rayons ultraviolets peut être installé dans n'importe quel sens.
2. Choisir un emplacement facilement accessible en prévision des inspections régulières et du nettoyage.
3. Le système de traitement d'air doit être installé dans un endroit facilement accessible, sur une surface plate, sur la gaine de reprise d'air du système de CVCA. Le système de traitement de surfaces doit être installé dans un endroit facilement accessible, sur une surface plate, sur la gaine de soufflage du système de CVCA. Le système de traitement de surfaces doit être placé de

façon à ce que la lampe à rayons ultraviolets enveloppe le serpentin d'évaporation et le bac à condensats de rayons ultraviolets.

4. L'emplacement choisi sur la gaine d'air doit avoir au moins 21 cm (8 po) de largeur. Voir la Fig. 3.
5. La gaine doit être suffisamment profonde pour recueillir l'ampoule à rayons ultraviolets sur toute sa longueur, comme l'illustre la Fig. 3.
6. L'appareil doit être situé aussi loin que possible de tout composant de caoutchouc ou de plastique, tels que des isolateurs, dans la gaine.

### IMPORTANT

*Si les choix d'emplacement sont restreints, protéger les composants de plastique ou de caoutchouc indiqués dans les mises en garde au moyen d'un matériau résistant aux rayons ultraviolets, tel que du ruban d'aluminium pour conduits.*

7. L'espace à proximité de l'endroit prévu pour l'installation de l'appareil doit être suffisamment large pour permettre la mise en place et le retrait de l'ampoule UV.
8. Il doit y avoir une prise de 120 V à portée de l'appareil pour qu'il soit branché.

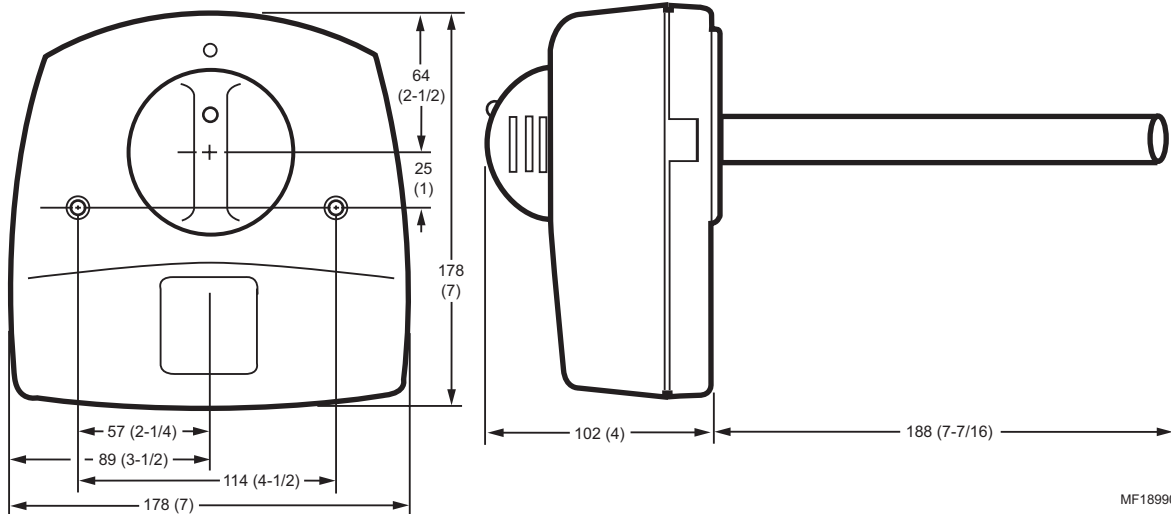


Fig. 3. Encombrement en mm (po) du système à rayons ultraviolets.

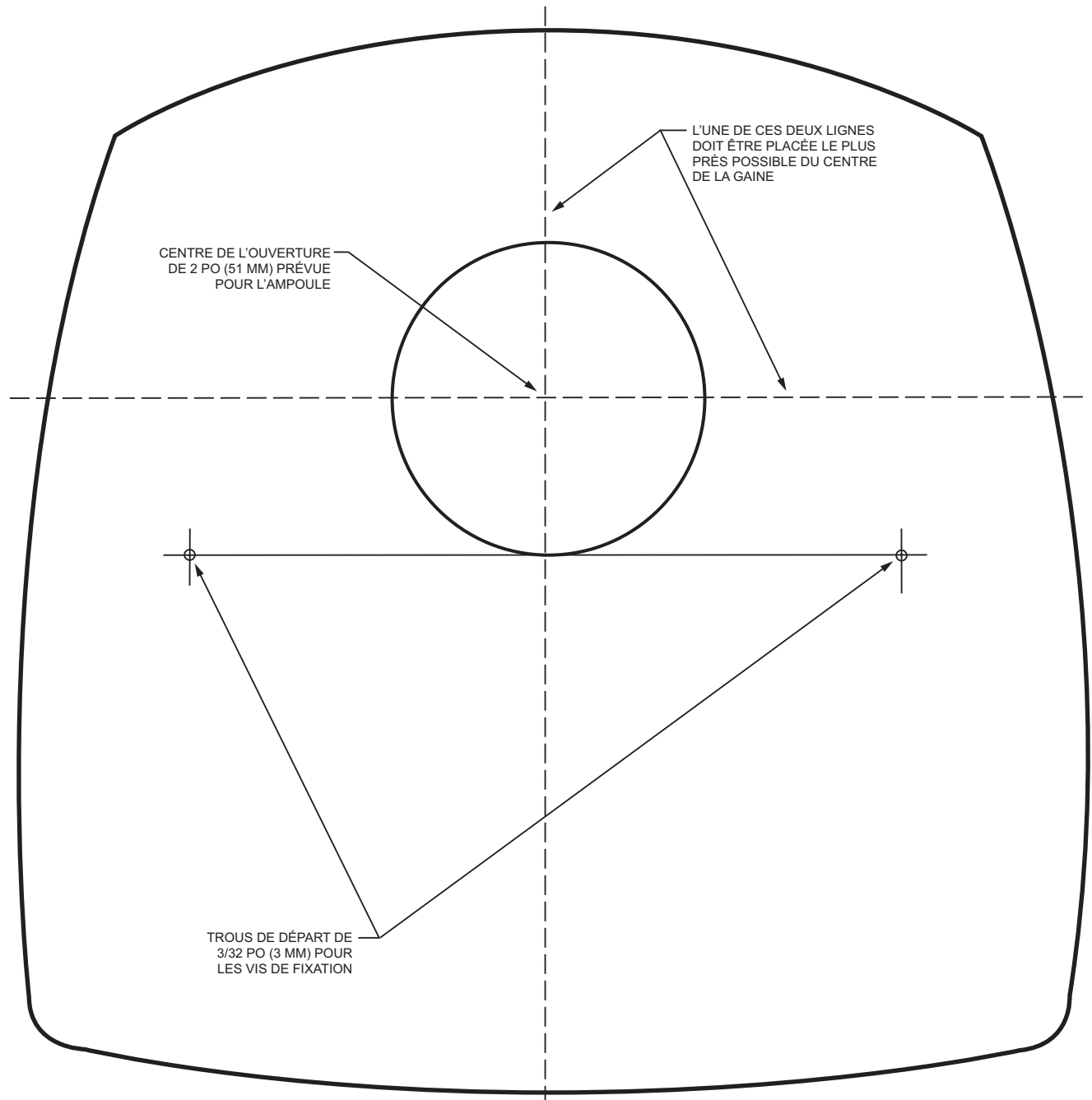
### Montage en gaine

Les directives suivantes expliquent comment installer le système à rayons ultraviolets dans la gaine d'air d'un système de CVCA.

1. Couper l'alimentation électrique du système de CVCA avant d'installer le système à rayons ultraviolets.
2. Coller le gabarit (Fig. 4) sur la surface de la gaine en plaçant l'ampoule au centre de la gaine.

3. Découper dans la gaine l'ouverture de 57 mm (2 po) prévue pour le passage de l'ampoule. Voir la Fig. 5. Enlever les ébarbures.

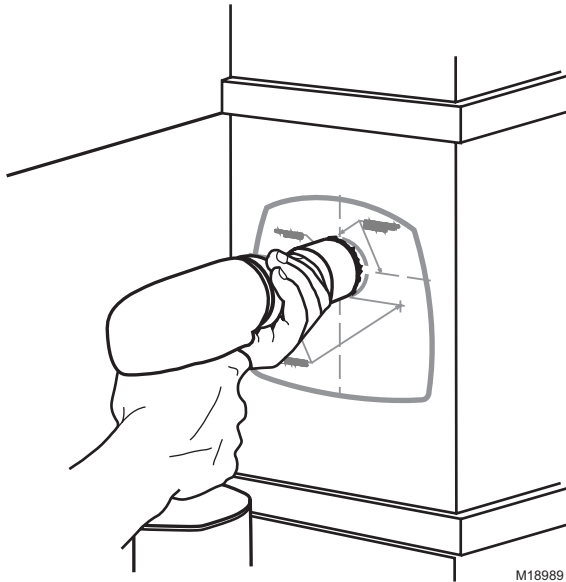




MF18991

**Fig. 4. Gabarit du système à rayons ultraviolets.**

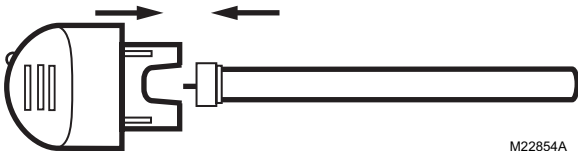
4. Utiliser une perceuse de 3 mm (3/32 po) pour percer des trous de départ pour les vis de fixation.
5. Vérifier la surface de la gaine et s'assurer qu'elle est toujours plate une fois les trous percés.
6. Placer l'unité de base en entier sur la gaine. S'assurer que les ouvertures de la gaine où viendront s'insérer les ampoules correspondent avec celles de l'appareil afin de permettre l'insertion des ampoules.
7. Fixer l'appareil à la gaine à l'aide des deux vis à tête cruciformes n° 10 fournies avec l'appareil.
8. Resserrer les vis de façon à fermer l'espace entre le boîtier et la gaine.



M18989

**Fig. 5. Découper dans la gaine l'ouverture de 51 mm (2 po) prévue pour le passage de l'ampoule.**

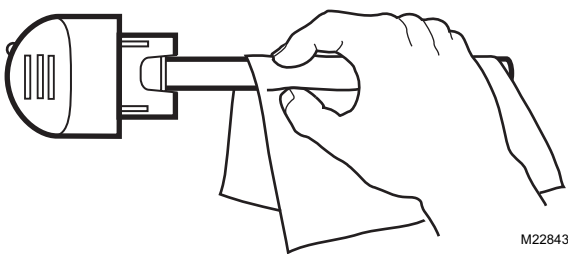
9. Insérer le nouveau cylindre dans la poignée en alignant la clavette, puis pousser en ligne droite. Voir la Fig. 6.



M22854A

**Fig. 6. Placer le cylindre dans le culot de la poignée.**

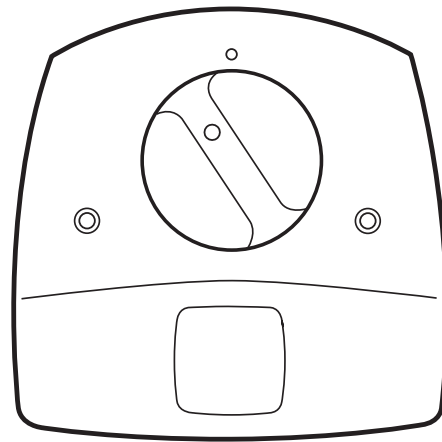
10. Si les doigts entrent en contact avec le cylindre, il faut essuyer les traces de doigts avec un linge. Voir la Fig. 7.



M22843

**Fig. 7. Utiliser un linge pour effacer les traces de doigts.**

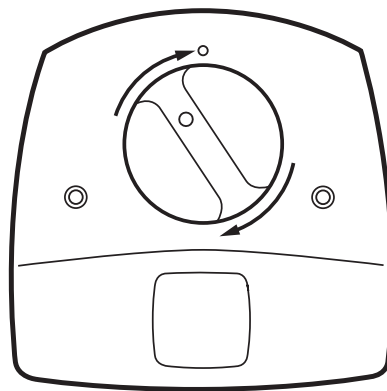
11. Insérer l'ampoule dans la base de l'appareil; le voyant doit être à 11 heures (à gauche du bouton en relief situé sur le couvercle de l'appareil). Voir la Fig. 8.  
 12. Exercer une légère pression sur la poignée tout en faisant tourner lentement dans le sens antihoraire. De cette façon, la poignée devrait s'insérer dans la cavité de la lampe jusqu'au fond.



M13603

**Fig. 8. Insérer l'ampoule dans l'unité de base.**

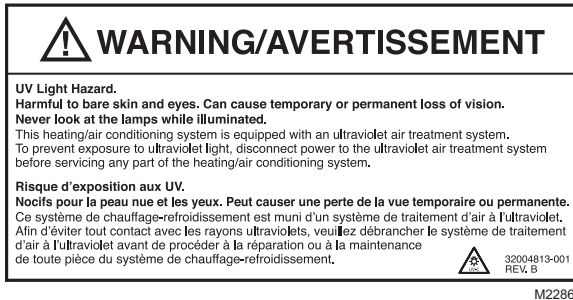
13. Faire tourner la poignée de la lampe dans le sens horaire jusqu'à ce qu'elle soit en prise et que le voyant soit vis-à-vis le bouton en relief situé sur le couvercle. Voir la Fig. 9.



M13604

**Fig. 9. Faire tourner la poignée jusqu'à ce qu'elle soit bien insérée en place.**

14. Brancher le cordon d'alimentation dans une prise électrique de 120 V c.a.  
 15. Rétablir l'alimentation électrique du système de CVCA.  
 16. Choisir un emplacement à proximité du système de CVCA pour y apposer l'étiquette d'entretien fournie avec l'emballage du système de traitement de l'air. Choisir un emplacement aisément visible pour le technicien qui sera appelé à faire l'entretien ou la réparation future du système de CVCA.  
 17. Apposer l'étiquette d'avertissement sur la maintenance du système de CVCA (à l'emplacement choisi à l'étape 16); il peut s'agir de la porte d'accès au système de chauffage, au filtre à air électronique ou à l'humidificateur. Voir la Fig. 10.



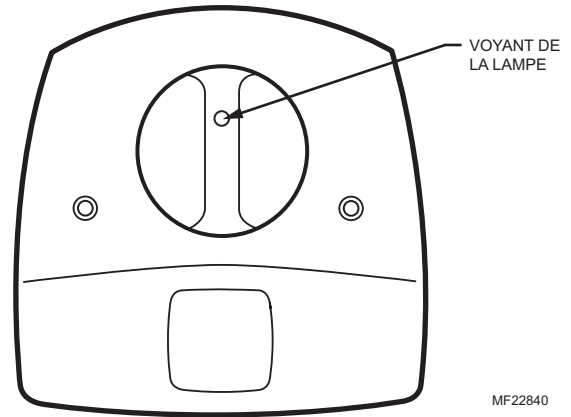
M22868

Fig. 10. Étiquette d'avertissement sur la maintenance du système à rayons UV.

## COMMENT VÉRIFIER LE SYSTÈME À RAYONS ULTRAVIOLETS

Le système à rayons UV a été conçu pour empêcher le contact accidentel avec le courant électrique et les rayons ultraviolets de l'appareil scellé—la lampe à rayons ultraviolets ne s'allumera pas si la base de l'appareil n'est pas installée sur la gaine du système à air pulsé.

Il est recommandé de vérifier tous les mois le fonctionnement de la lampe à rayons ultraviolets. *Pour savoir si la lampe fonctionne bien, il suffit d'observer le voyant situé sur la poignée de la lampe. Voir la Fig. 11. Il ne faut pas tenter de regarder dans la gaine pendant que la lampe est allumée.*



MF22840

Fig. 11. Voyant de la lampe.

## COMMENT ENTRETENIR LE SYSTÈME À RAYONS ULTRAVIOLETS

Il faut nettoyer régulièrement le système à rayons ultraviolets pour que le système de traitement de l'air ou de surfaces fonctionne à plein rendement. L'ampoule à rayons ultraviolets doit être remplacée une fois par année.

### Nettoyage trimestriel de l'ampoule

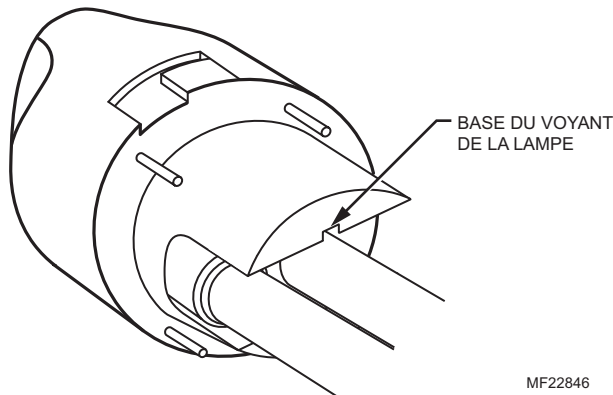
Le nettoyage de l'ampoule devrait avoir lieu quatre fois par année ou tous les trois mois. Le calendrier de rappel de nettoyage de l'ampoule, à la Fig. 12, peut aider l'utilisateur à faire le suivi du calendrier de nettoyage.

Pour nettoyer l'ampoule :

1. Couper l'alimentation électrique du système de chauffage ou de refroidissement.
2. Débrancher ou interrompre l'alimentation du système UV et laisser l'ampoule se refroidir pendant au moins 15 minutes.
3. Faire pivoter la poignée de la lampe dans le sens anti-horaire et tirer doucement la lampe vers soi par la poignée pour retirer l'ampoule. Voir la Fig. 13.

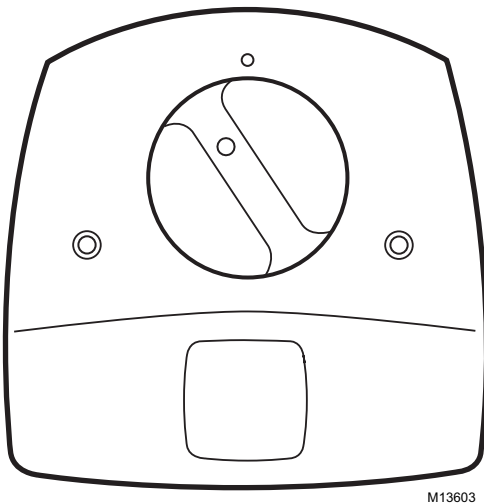


- Essuyer également toute poussière qui se serait accumulée entre le voyant de la lampe sur la base et le culot noir de la lampe Fig. 15.



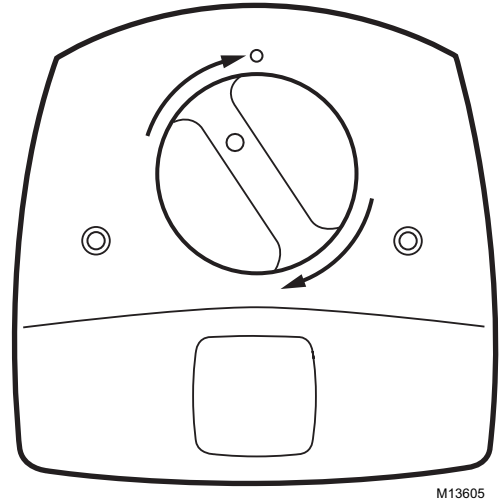
**Fig. 15. Essuyer la base du voyant de la lampe.**

- Assécher la lampe à l'aide d'un linge propre et sec.
- Insérer la lampe dans la base de façon à ce que le voyant soit à 11 heures (à gauche du bouton en relief situé sur le couvercle de l'appareil). Exercer une légère pression et tourner doucement dans le sens antihoraire jusqu'à ce que la lampe soit complètement insérée dans le culot. Voir la Fig. 16.



**Fig. 16. Placer la lampe de façon à la réinsérer dans le culot.**

- Faire tourner la poignée de la lampe dans le sens horaire jusqu'à ce qu'elle soit en prise et que le voyant soit vis-à-vis le bouton en relief situé sur le couvercle. Voir la Fig. 17.
- Rétablir l'alimentation du système UV.
- Vérifier le fonctionnement de la lampe en observant seulement le voyant situé sur la poignée de la lampe. Ne jamais regarder directement l'ampoule allumée.
- Rétablir l'alimentation électrique du système de chauffage ou de refroidissement.

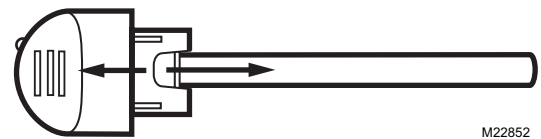


**Fig. 17. Faire tourner la poignée jusqu'à ce que l'ampoule soit bien insérée en place.**

## Remplacement de l'ampoule

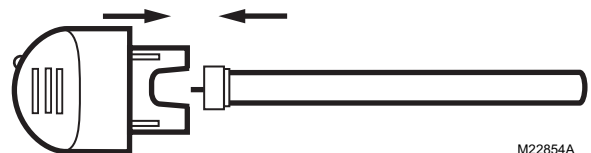
Pour maintenir le plein rendement du système, il est recommandé de remplacer l'ampoule à rayons ultraviolets une fois par année.

- Obtenir auprès du détaillant une ampoule de rechange (n° de pièce RUVBULB1) qui convient à l'appareil.
- Couper l'alimentation électrique du système de chauffage ou de refroidissement.
- Débrancher ou interrompre l'alimentation du système UV et laisser l'ampoule se refroidir pendant au moins 15 minutes.
- Tourner la poignée de la lampe dans le sens antihoraire et tirer doucement la lampe vers soi par la poignée pour retirer l'ampoule. Voir la Fig. 13.
- Saisir la poignée d'une main et le cylindre de l'autre et séparer les deux pièces. Voir la Fig. 18.



**Fig. 18. Séparer le cylindre de la poignée.**

- Insérer le nouveau cylindre dans la poignée en alignant la clavette, puis pousser en ligne droite. Voir la Fig. 19.



**Fig. 19. Placer le cylindre dans le culot.**

- Si les doigts entrent en contact avec le cylindre, il faut essuyer les traces de doigts avec un linge. Voir la Fig. 7.

## SYSTÈME À RAYONS ULTRAVIOLETS

8. Insérer la lampe dans la base de façon à ce que le voyant soit à 11 heures (à gauche du bouton en relief situé sur le couvercle de l'appareil). Exercer une légère pression et tourner doucement dans le sens antihoraire jusqu'à ce que la lampe soit complètement insérée dans le culot. Voir la Fig. 16.
9. Faire tourner la poignée de la lampe dans le sens horaire jusqu'à ce qu'elle soit en prise et que le voyant soit vis-à-vis le bouton en relief situé sur le couvercle. Voir la Fig. 17.
10. Rétablir l'alimentation du système UV.
11. Vérifier le fonctionnement de la lampe en observant seulement le voyant situé sur la poignée de la lampe. Ne jamais regarder directement l'ampoule allumée.
12. Rétablir l'alimentation électrique du système de chauffage ou de refroidissement.

## GARANTIE LIMITÉE

Honeywell garantit ce produit, à l'exception des ampoules, contre tout vice de fabrication ou de matière dans la mesure où il en est fait une utilisation et un entretien convenables, et ce, pour un (1) an à partir de la date d'achat par le consommateur. En cas de défectuosité ou de mauvais fonctionnement pendant la période de garantie, Honeywell remplacera ou réparera le produit (au gré de Honeywell) dans un délai raisonnable.

Si le produit est défectueux, le retourner, accompagné d'une preuve d'achat indiquant la date d'achat, au détaillant auprès de qui il a été acheté.

La présente garantie ne couvre pas les frais de retrait ou de réinstallation. La présente garantie ne s'appliquera pas s'il est démontré que la défectuosité ou le mauvais fonctionnement est dû à un endommagement du produit alors que le consommateur l'avait en sa possession.

La responsabilité de Honeywell se limite à réparer ou à remplacer le produit conformément aux modalités susmentionnées. HONEYWELL N'EST EN AUCUN CAS RESPONSABLE DES PERTES OU DOMMAGES, Y COMPRIS LES DOMMAGES INDIRECTS OU ACCESSOIRES DÉCOULANT DIRECTEMENT OU INDIRECTEMENT D'UNE VIOLATION QUELCONQUE D'UNE GARANTIE, EXPRESSE OU TACITE, APPLICABLE AU PRÉSENT PRODUIT NI DE TOUTE AUTRE DÉFECTUOSITÉ DU PRÉSENT PRODUIT. Certaines provinces ne permettent pas l'exclusion ou la restriction des dommages indirects et, par conséquent, la présente restriction peut ne pas s'appliquer.

LA PRÉSENTE GARANTIE TIENT LIEU DE TOUTES LES AUTRES GARANTIES EXPRESSES ACCORDÉES PAR HONEYWELL POUR CE PRODUIT, ET LES GARANTIES DE VALEUR MARCHANDE ET DE CONFORMITÉ À UNE FIN PARTICULIÈRE SONT PAR LES PRÉSENTES EXCLUES APRÈS LA PÉRIODE DE UN AN DE LA PRÉSENTE GARANTIE. Certaines provinces ne permettent pas de limiter la durée des garanties tacites et, par conséquent, la présente limitation peut ne pas s'appliquer.

La présente garantie donne au consommateur des droits légaux spécifiques et peut-être certains autres droits qui peuvent varier d'une province à l'autre.

Pour toute question concernant la présente garantie, prière d'écrire aux Services à la clientèle de Honeywell à l'adresse suivante : Honeywell Customer Relations, 1985 Douglas Drive North, Golden Valley, MN 10, ou encore composer le 1-800-468-1502, du lundi au vendredi entre 7 h et 17 h 30, heure du Centre. Au Canada, prière de s'adresser à Honeywell Limited/Honeywell Limitée, 35, Dynamic Drive, Toronto (Ontario) M1V 4Z9.

Choisissez de mieux respirer en installant des solutions Honeywell. Augmentez votre confort et soyez plus tranquille.



Systèmes de traitement de l'air aux ultraviolets Éliminez les microbes qui flottent dans l'air et empêchez la croissance de moisissures sur les serpentins de refroidissement.



Filtres à air pour toute la maison Emprisonnez un grand pourcentage de particules contenues dans l'air qui passe à travers le filtre.



Humidificateurs pour toute la maison Humidifiez l'air - l'humidité est un atout idéal pour réduire les effets néfastes de l'air sec sur la santé.



Systèmes de régulation par zones Maîtrisez la température de votre maison une zone à la fois pour économiser l'énergie et accroître votre confort.



Échangeurs d'air PerfectWindow® Aérez la maison pour obtenir de l'air frais tout en réduisant les pertes d'énergie.



Thermostats programmables Économisez jusqu'à 30% en frais annuels d'énergie grâce à ce thermostat simple à utiliser\*

\*selon l'emplacement géographique et la consommation d'énergie

MF18621A

### Solutions de régulation et d'automatisation

Honeywell International Inc.  
1985 Douglas Drive North  
Golden Valley, MN 55422  
customer.honeywell.com

Honeywell Limited-Honeywell Limitée  
35, Dynamic Drive  
Toronto (Ontario) M1V 4Z9



Imprimé aux États-Unis sur du papier recyclé contenant au moins 10 % de fibres post-consommation.

# Honeywell

© Marque de commerce déposée aux É.-U.

© 2007 Honeywell International Inc. Tous droits réservés  
69-1859EFS—01 M.S. Rév. 07-07



# Sistema ultravioleta



**Contenidos**

Funcionamiento del sistema ultravioleta de tratamiento del aire o del sistema ultravioleta de tratamiento de la superficie ..... 26  
Be Sure to Read Warnings and Cautions Before Installing or Using Your UV System ..... 3  
Cómo instalar su sistema ultravioleta ..... 28  
How You Can Check Your Ultraviolet System ..... 7  
How You Can Maintain Your UV System ..... 7

**IMPORTANTE**

Lea estas instrucciones y consérvelas en sus archivos.

## FUNCIONAMIENTO DEL SISTEMA ULTRAVIOLETA DE TRATAMIENTO DEL AIRE O DEL SISTEMA ULTRAVIOLETA DE TRATAMIENTO DE LA SUPERFICIE

Según el tipo de instalación, su sistema ultravioleta puede funcionar como un sistema de tratamiento del aire o como un sistema de tratamiento de la superficie.

### Sistema de tratamiento del aire

Al instalarse en el conducto de retorno de aire de su sistema, su sistema ultravioleta de tratamiento del aire mata un porcentaje elevado de gérmenes del aire que circulan a

través de su sistema de calefacción y de refrigeración forzados. Los resultados individuales dependen de una instalación cuidadosa. Vea la Fig. 1.

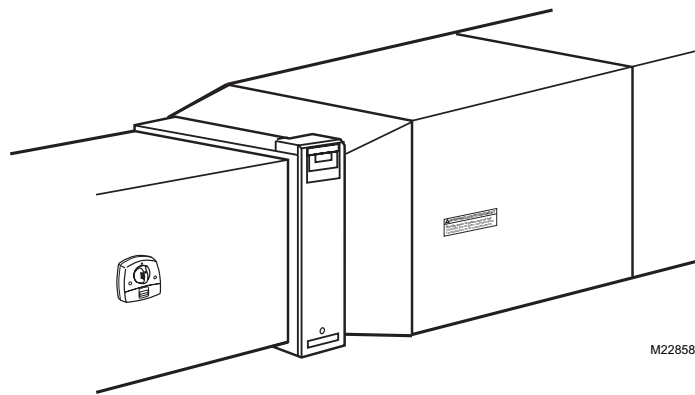


Fig. 1. Instalaciones típicas del sistema de tratamiento del aire.

### Sistema de tratamiento de la superficie

Cuando se instala cerca del serpentín de refrigeración de su sistema, su sistema ultravioleta de tratamiento de la superficie previene el desarrollo de un gran porcentaje de

microorganismos, como el moho que puede desarrollarse en las superficies del conducto, las serpentinas y los depósitos de desagüe. Los resultados individuales dependen de una instalación y un mantenimiento cuidadosos. Vea la Fig. 2.

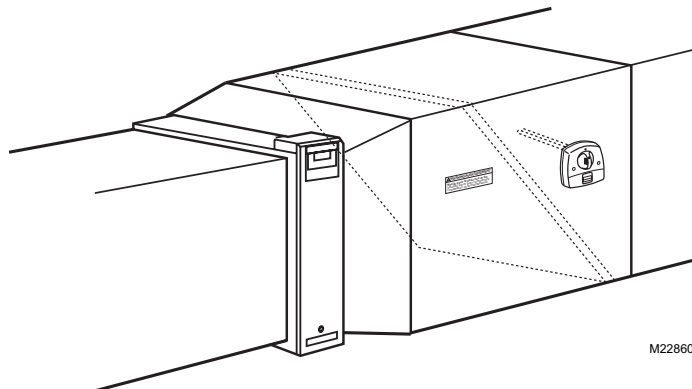
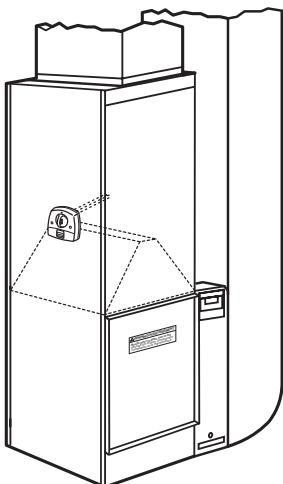


Fig. 2. Instalaciones típicas del sistema de tratamiento del aire.

Puede minimizar la cantidad de microorganismos que pasan a través de su sistema de aire forzado y capturarlos si combina su sistema ultravioleta con un sistema de filtración del aire similar a un purificador de aire. Póngase en contacto

con el proveedor de sistemas de refrigeración y calefacción de su localidad para agregar un purificador de aire que se complemente con su sistema ultravioleta y les brinde protección adicional a usted y a su familia.

## ASEGÚRESE DE LEER LAS ADVERTENCIAS Y LAS PRECAUCIONES ANTES DE INSTALAR O DE UTILIZAR SU SISTEMA ULTRAVIOLETA



### **! WARNING**

**Peligro de exposición a la luz UV. Puede dañar la piel al descubierto y los ojos. Puede causar pérdida temporal o permanente de la visión.**  
Nunca mire las bombillas mientras estén encendidas. Mire hacia la luz únicamente a través del indicador de luz ubicado en el soporte de la lámpara. Para evitar la exposición a la luz ultravioleta, desconecte la fuente de energía del sistema ultravioleta antes de realizar el mantenimiento de alguna pieza del sistema de calefacción y de aire acondicionado. No monte el dispositivo en una ubicación que permita que se vea la luz ultravioleta después de la instalación. No intente desviar el interruptor montado en el conducto. No intente abrir la carcasa; la unidad está sellada herméticamente para evitar la exposición a la luz ultravioleta.



### **CAUTION**

**Riesgo de lesiones físicas. La fuente de alimentación puede causar descargas eléctricas o dañar el equipo.**  
Desconecte la fuente de alimentación antes de limpiar o de reemplazar las bombillas. No abra la unidad de base ni el soporte de la lámpara; ésta no contiene componentes que el usuario pueda utilizar.



### **CAUTION**

**Peligro de vidrios que pueden romperse. Pueden causar lesiones físicas.**  
Tenga cuidado al insertar las bombillas en la base de la lámpara. Use guantes protectores para manipular las bombillas



### **CAUTION**

**Peligro de que se queme la lámpara UV. Puede dañar la piel al descubierto. Puede causar quemaduras graves.**  
Desconecte la fuente de energía 15 minutos antes de quitar las bombillas ultravioleta.

Este dispositivo contiene mercurio en las bombillas ultravioleta herméticas. No tire a la basura las bombillas usadas. Elimínelas de manera adecuada.

**Limpieza de las bombillas rotas. No utilice una aspiradora de hogar.**

Arrastre la suciedad (fósforo/vidrio) hacia una bolsa de plástico y elimínela de manera adecuada. Póngase en contacto con la autoridad local para el manejo de desechos a fin de obtener instrucciones sobre el reciclado y la correcta eliminación de las bombillas viejas.



### **CAUTION**

**Peligro de daño al equipo. La luz ultravioleta puede hacer que cambie o se degrade el color de los materiales de plástico de la unidad HVAC.**  
Seleccione una ubicación de montaje donde se evite que los componentes de plástico con nivel de resistencia desconocido estén expuestos a la luz ultravioleta. Se recomienda dejar un espacio de tres pies, como mínimo, entre la lámpara ultravioleta y los dispositivos de plástico (como cables y filtros de medios que no sean de fibra de vidrio).

NOTA: La mayoría de los depósitos de desagüe y los humidificadores son resistentes a los rayos UV. Consulte el papel blanco sobre exposición a los rayos UV N.º 50-8788 de Honeywell.



### **CAUTION**

**Peligro de bordes filosos.**  
Pueden causar lesiones físicas.

Tenga cuidado cuando inserte el dispositivo ultravioleta en la muesca metálica. Use guantes cuando trabaje cerca de las planchas de metal.

## CÓMO INSTALAR SU SISTEMA ULTRAVIOLETA

### Cuando instale este producto...

1. Lea estas instrucciones atentamente. Si no respeta las instrucciones, puede dañar el producto o causar una situación de riesgo.
2. Después de que haya finalizado la instalación, revise el funcionamiento de la unidad según lo especificado en estas instrucciones.

### Selección de una ubicación de montaje

Según la ubicación de la instalación, su sistema ultravioleta puede funcionar como un sistema de tratamiento del aire o como un sistema de tratamiento de la superficie.

1. El sistema ultravioleta se puede montar en cualquier dirección.
2. Elija un lugar de fácil acceso para inspeccionar y limpiar la unidad regularmente.
3. El sistema ultravioleta de tratamiento del aire requiere una superficie de montaje plana y de fácil acceso sobre el conducto de retorno de aire, de metal, del sistema HVAC. El sistema ultravioleta de tratamiento de la superficie requiere una superficie de montaje plana y de fácil acceso sobre el conducto de retorno de aire, de

metal, del sistema HVAC. El sistema ultravioleta de tratamiento del aire debe ubicarse de manera que la lámpara rodee con luz ultravioleta la serpentina del evaporizador y la bandeja para goteos.

4. La ubicación de montaje del conducto debe tener 8 pulgadas de profundidad, como mínimo. Vea la Fig. 3.
5. La profundidad del conducto debe alojar la totalidad de la bombilla ultravioleta, como se muestra en la Fig. 3.
6. La unidad debe ubicarse lo más lejos posible de los componentes de caucho o de plástico del conducto, como los aislantes.

### IMPORTANTE

*Si las opciones de montaje son limitadas, proteja los materiales de plástico o de caucho mencionados en el párrafo "PRECAUCIÓN" con materiales resistentes a los rayos ultravioleta, como la cinta adhesiva de aluminio para conductos.*

7. Los espacios adyacentes a la ubicación de montaje deben ser lo suficientemente amplios para permitir la instalación y la extracción de la bombilla ultravioleta.
8. Un tomacorriente de 120 V debe estar dentro del rango de la unidad para conectar el cable.

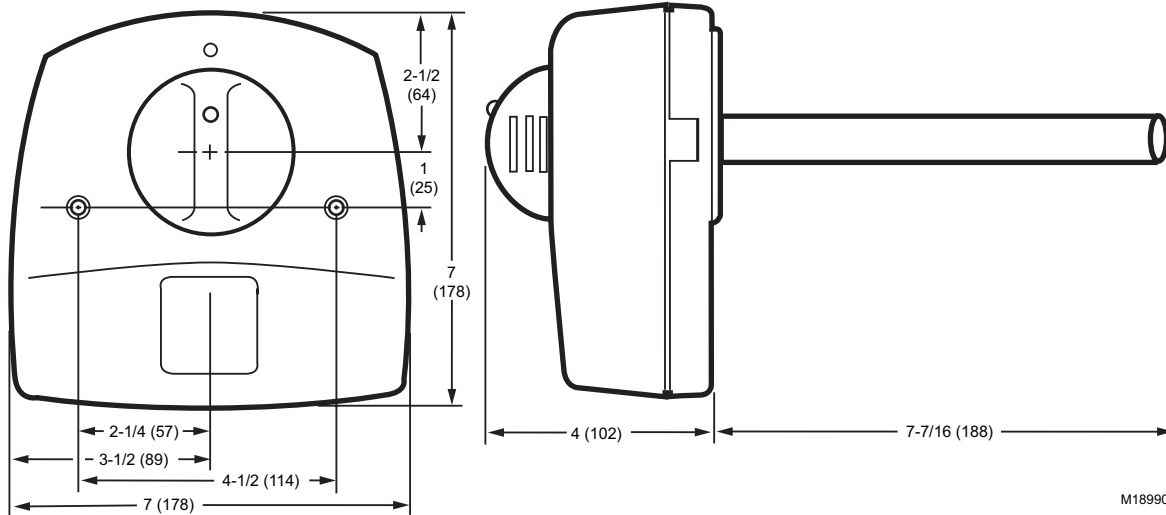


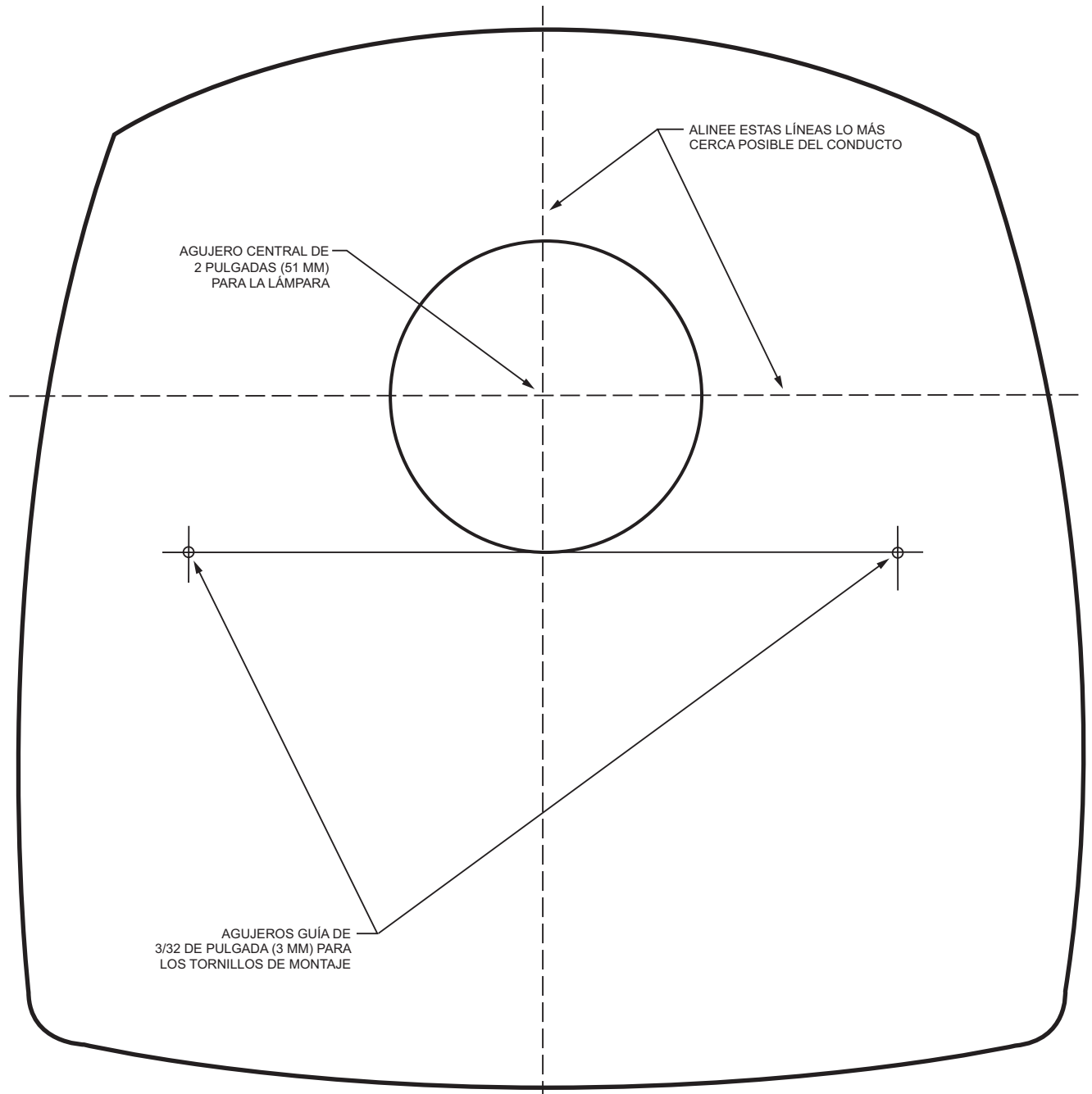
Fig. 3. Dimensiones del sistema ultravioleta en pulgadas (mm) .

### Montaje del conducto

Utilice las siguientes instrucciones para montar el sistema ultravioleta en el conducto de aire del sistema HVAC:

1. Desconecte la fuente de energía del sistema HVAC antes de instalar el sistema ultravioleta.
2. Coloque una cinta en la plantilla (Fig. 4) de la superficie del conducto y centre el agujero de la bombilla en el conducto.

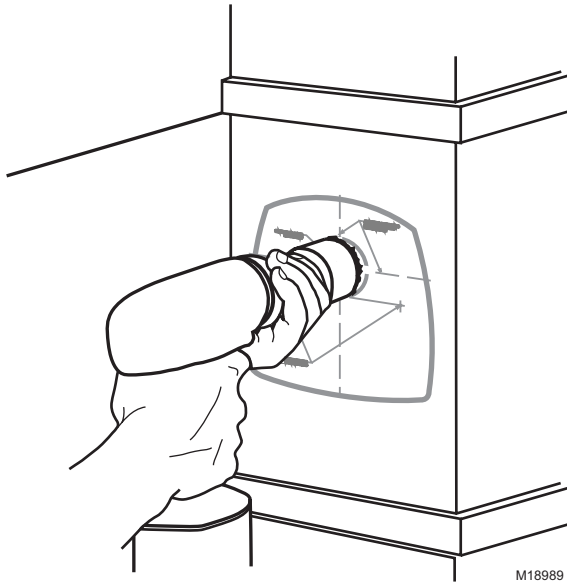
3. Realice en el conducto el agujero de 2 pulgadas correspondiente a la bombilla. Vea la Fig. 5. Quite las rebabas.



MS18991

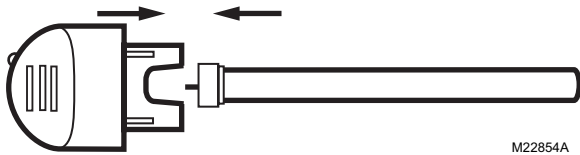
**Fig. 4. Plantilla del sistema ultravioleta.**

4. Utilice una broca de 3/32 de pulgada para hacer los agujeros guía para los tornillos de montaje.
5. Asegúrese de que la superficie del conducto esté plana después de que haya realizado los agujeros.
6. Coloque toda la unidad de base sobre el conducto. Asegúrese de que los agujeros del conducto para las bombillas estén alineados con los de la unidad para que se pueda insertar la bombilla.
7. Instale la unidad sobre el conducto utilizando los dos tornillos de montaje Phillips N.º 10, de metal, de 2 pulgadas, que se suministran.
8. Ajuste los tornillos para que el espacio entre la caja y el conducto quede sellado.



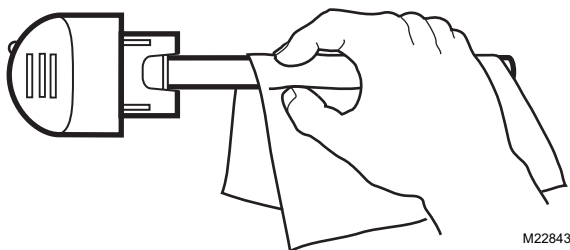
**Fig. 5. Realice en el conducto el agujero correspondiente a la bombilla.**

9. Inserte el nuevo vidrio de la lámpara en el soporte, alinee la llave y presiónelos para que se unan. Vea la Fig. 6.



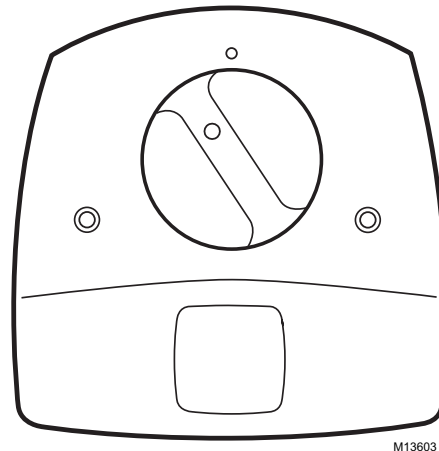
**Fig. 6. Coloque el vidrio de la lámpara en el soporte.**

10. Si toca el vidrio de la lámpara, utilice un paño para quitar las huellas digitales del vidrio. Vea la Fig. 7.



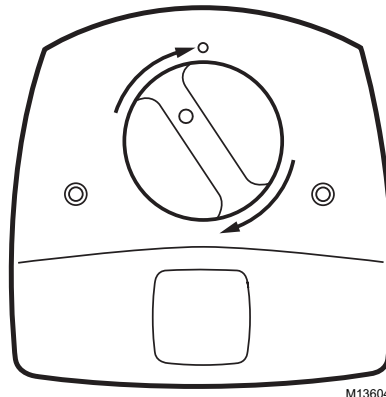
**Fig. 7. Utilice un paño para quitar las huellas digitales del vidrio.**

11. Inserte la bombilla en la unidad de base con el indicador de luz de la lámpara en la posición de las '11 en punto' (a la izquierda del botón levantado en la cubierta de la unidad). Vea la Fig. 8.
12. Continúe presionando suavemente el soporte de la lámpara mientras lo gira en el sentido opuesto al de las manecillas del reloj. Esto hará que el soporte de la lámpara quede colocado en la parte inferior del depósito de la lámpara.



**Fig. 8. Inserte la bombilla en la unidad de base.**

13. Gire el soporte de la lámpara en el sentido de las manecillas del reloj hasta que encaje en su lugar y hasta que el indicador de luz de la lámpara esté alineado con el botón levantado en la cubierta de la unidad. Vea la Fig. 9.



**Fig. 9. La lámpara debe encajar en su lugar.**

14. Enchufe el cable en el tomacorriente de 120 V próximo.
15. Vuelva a conectar la fuente de energía del sistema HVAC.
16. Elija una ubicación en el equipo HVAC adyacente para colocar la etiqueta de mantenimiento de HVAC incluida en la caja de embalaje del sistema de tratamiento del aire. Elija una ubicación que pueda ser identificada con facilidad por un técnico de mantenimiento durante los futuros servicios de mantenimiento o de reparación del equipo HVAC.
17. Pegue la etiqueta de seguridad de mantenimiento en el equipo HVAC (elegida en el paso 16), como en la puerta de acceso del sistema de calefacción, el purificador de aire o el humidificador. Vea la Fig. 10.

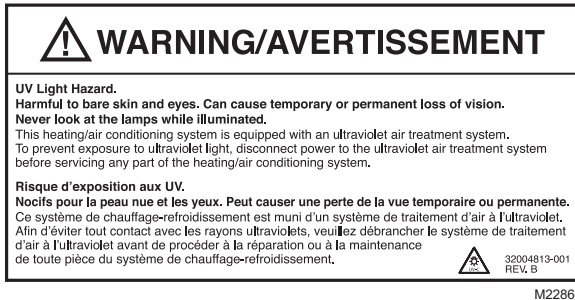


Fig. 10. Etiqueta de seguridad sobre la luz UV para el mantenimiento del equipo HVAC.

## CÓMO CONTROLAR SU SISTEMA ULTRAVIOLETA

Su sistema ultravioleta está diseñado para evitar el contacto accidental con la tensión eléctrica y los rayos ultravioleta en la unidad hermética. La lámpara ultravioleta no iluminará a menos que la base sea montada en el conducto del sistema de aire forzado.

Se recomienda que controle el funcionamiento de su lámpara ultravioleta todos los meses. *Mire hacia la bombilla sólo a través del indicador de luz de la lámpara ubicado en el soporte de la lámpara. Vea la Fig. 11. No intente mirar las bombillas encendidas ubicadas en el interior del conducto.*

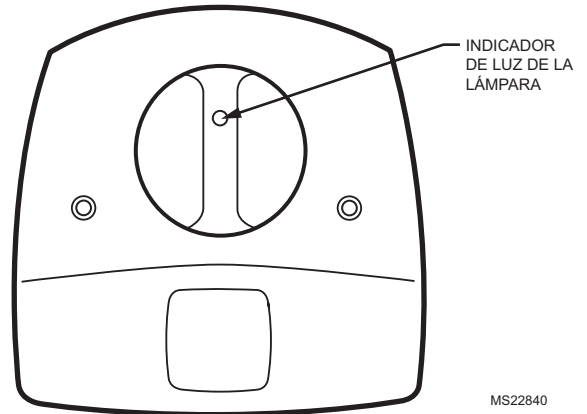


Fig. 11. Indicador de luz de la lámpara.

## CÓMO REALIZAR EL MANTENIMIENTO DE SU SISTEMA ULTRAVIOLETA

Debe limpiar su sistema ultravioleta regularmente para que su sistema de tratamiento del aire o de la superficie funcione de manera óptima. Reemplace la bombilla ultravioleta una vez al año.

### Limpieza trimestral de la bombilla

Se recomienda limpiar la bombilla cuatro veces al año o cada tres meses a modo de mantenimiento de rutina. Utilice el calendario recordatorio de limpieza de la bombilla UV (Fig. 12) para anotar las limpiezas regulares y realizar un seguimiento del mantenimiento.

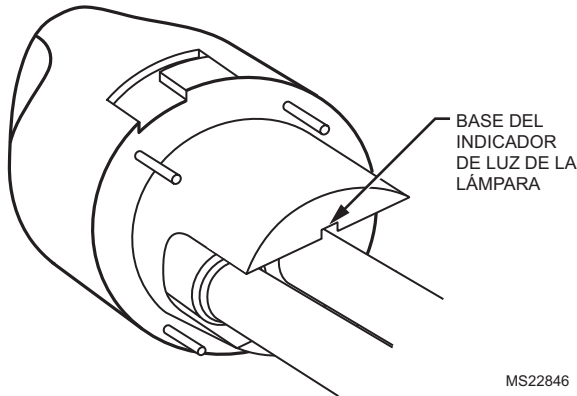
Para limpiar las bombillas.

1. Desconecte la fuente de energía de su sistema de calefacción y de aire acondicionado.
2. Corte la energía o desenchufe su sistema ultravioleta y permita que las lámparas se enfríen durante 15 minutos como mínimo.
3. Haga girar el soporte de la lámpara en el sentido opuesto al de las manecillas del reloj y tire suavemente de éste para extraer la bombilla. Vea la Fig. 13.



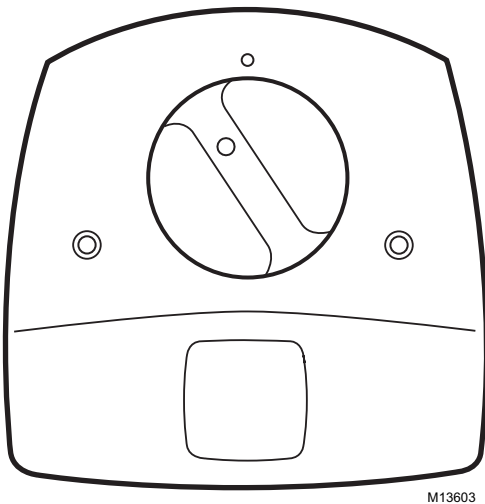


- Además, quite el polvo que se haya acumulado entre el indicador de luz de la lámpara de la base y la base de la bombilla negra. Vea la Fig. 15.



**Fig. 15. Limpie la base del indicador de luz de la lámpara.**

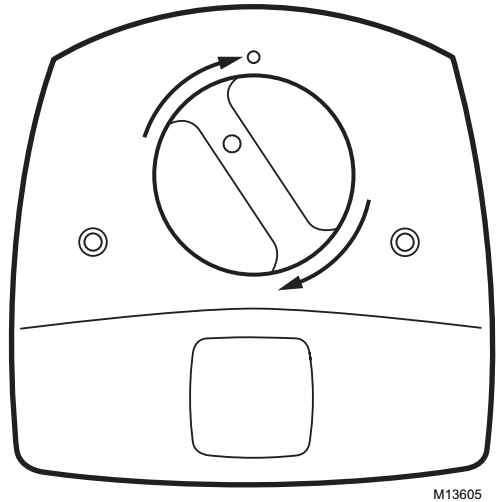
- Seque la bombilla con un paño seco y limpio.
- Inserte la bombilla en la base con el indicador de luz de la lámpara en la posición de las '11 en punto'. Continúe presionando y gírela suavemente en el sentido contrario a las manecillas del reloj hasta que el soporte de la lámpara se inserte por completo en la base. Vea la Fig. 16.



**Fig. 16. Posición de la bombilla para insertarla nuevamente en la base de la lámpara.**

- Gire el soporte de la lámpara en el sentido de las manecillas del reloj hasta que encaje en su lugar y hasta que el indicador de luz de la lámpara esté alineado con el botón levantado en la cubierta de la unidad. Vea la Fig. 17.
- Vuelva a conectar la fuente de energía de su sistema ultravioleta.
- Controle que las bombillas ultravioleta estén funcionando correctamente. Para eso, mire únicamente al indicador de luz de la lámpara ubicado en el soporte de la lámpara. Nunca mire directamente hacia la bombilla mientras está encendida.

- Vuelva a conectar la fuente de energía de su sistema de calefacción y de aire acondicionado.

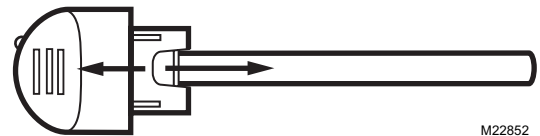


**Fig. 17. La bombilla debe encajar en su lugar.**

## Reemplazo de la bombilla

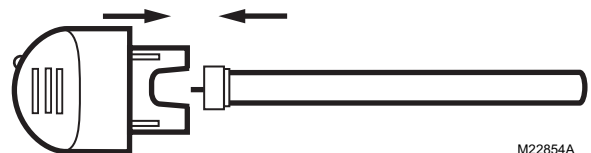
El reemplazo anual de la bombilla en su lámpara ultravioleta es necesario para mantener el funcionamiento eficaz de la unidad.

- Solicite a su proveedor minorista el repuesto de la bombilla (pieza N.º RUVBULB1) para su unidad.
- Desconecte la fuente de energía de su sistema de calefacción y de aire acondicionado.
- Corte la energía o desenchufe su sistema ultravioleta y permita que las lámparas se enfríen durante 15 minutos como mínimo.
- Haga girar el soporte de la lámpara en el sentido opuesto al de las manecillas del reloj y tire suavemente de éste para extraer la bombilla. Vea la Fig. 13.
- Sujete el soporte de la lámpara con una mano y el vidrio de la lámpara con la otra, y tire para separarlos. Vea la Fig. 18.



**Fig. 18. Desconecte del soporte el vidrio de la lámpara.**

- Inserte el nuevo vidrio de la lámpara en el soporte de la lámpara, alinee la llave y presiónelos para que se unan. Vea la Fig. 19.



**Fig. 19. Reemplace el vidrio de la lámpara en el soporte.**

## SISTEMA ULTRAVIOLETA

7. Si toca el vidrio de la lámpara, utilice un paño para quitar las huellas digitales del vidrio. Vea la Fig. 7.
8. Inserte la bombilla en la base con el indicador de luz de la lámpara en la posición de las '11 en punto'. Continúe empujando y gírela suavemente en el sentido opuesto al de las manecillas del reloj hasta que el soporte de la lámpara se inserte por completo en la base. Vea la Fig. 16.
9. Rote la lámpara en el sentido de las manecillas del reloj hasta que encaje en su lugar y el indicador de luz de la lámpara esté alineado con el botón levantado en la cubierta de la unidad. Vea la Fig. 17.
10. Vuelva a conectar la fuente de energía de su sistema ultravioleta.
11. Controle que la bombilla ultravioleta esté funcionando correctamente. Para eso, mire únicamente al indicador de luz de la lámpara ubicado en el soporte de la lámpara. Nunca mire directamente hacia la bombilla mientras está encendida.
12. Vuelva a conectar la fuente de energía de su sistema de calefacción y de aire acondicionado.

## Garantía limitada

Honeywell garantiza este producto, a excepción de las bombillas, por el término de un (1) año contra cualquier defecto de fabricación o de los materiales, a partir de la fecha de compra por parte del consumidor. Si en cualquier momento durante el período de garantía se verifica que el producto tiene un defecto o que funciona mal, Honeywell lo reparará o reemplazará (a elección de Honeywell) en el transcurso de un período de tiempo razonable.

Si el producto tiene defectos, devuélvalo, con la factura de venta u otra prueba de compra fechada, al proveedor minorista a quien se lo compró.

Esta garantía no cubre los costos de extracción o reinstalación. Esta garantía no se aplicará si Honeywell demuestra que el defecto o mal funcionamiento estaba causado por daños ocurridos mientras el producto estaba en posesión de un consumidor.

La única responsabilidad de Honeywell será reparar o reemplazar el producto dentro de los plazos establecidos anteriormente. HONEYWELL NO RESPONDERÁ POR LA PÉRDIDA O DAÑO DE NINGÚN TIPO, INCLUIDO EL DAÑO INCIDENTAL O INDIRECTO DERIVADO, DIRECTA O INDIRECTAMENTE, DEL INCUMPLIMIENTO DE LAS GARANTÍAS, EXPRESAS O IMPLÍCITAS, O DE OTRAS FALLAS DE ESTE PRODUCTO. Algunos estados no permiten la exclusión o limitación del daño incidental o indirecto; por lo tanto, esta limitación puede no resultar aplicable a su caso.

LA PRESENTE GARANTÍA ES LA ÚNICA GARANTÍA EXPRESA QUE HONEYWELL PROPORCIONA RESPECTO DE ESTE PRODUCTO. LA DURACIÓN DE LAS GARANTÍAS IMPLÍCITAS, INCLUIDAS LAS GARANTÍAS DE COMERCIABILIDAD Y APTITUD PARA UN OBJETIVO PARTICULAR, ESTÁ LIMITADA A LA DURACIÓN DE UN AÑO DE LA PRESENTE GARANTÍA. Algunos estados no permiten las limitaciones sobre la duración del período de una garantía implícita; por lo tanto, la limitación anterior puede no resultar aplicable a su caso.

Esta garantía le brinda derechos legales específicos, y usted podrá tener otros derechos que varían según el estado.

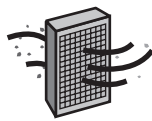
Si tiene preguntas sobre la presente garantía, escriba a Honeywell Customer Relations, 1985 Douglas Dr. N MN10-1461, Golden Valley, MN 55422 o llame al 1-800-468-1502, de lunes a viernes, de 7:00 a. m. a 5:30 p. m., horario de centro. En Canadá, escriba a Honeywell Limited/ Honeywell Limitée, 35 Dynamic Dr., ON15, Toronto, Ontario M1V4Z.

# Honeywell

Elija el mejor aire interior para su familia mediante la instalación de soluciones Honeywell. Enriquecerá su comodidad y tranquilidad



**Sistemas ultravioleta** Matan los gérmenes del aire y evitan que se acumulen esporas de moho en las serpentinas del aire acondicionado



**Purificadores de aire para todo el hogar** Atrapan un alto porcentaje de partículas del aire que atraviesan la unidad.



**Humidificadores para todo el hogar** Mantienen la humedad del aire y son ideales para minimizar los efectos adversos a la salud



**Sistemas de zona** Controle la temperatura de su hogar por áreas y ahorre energía y mejore su bienestar



**Intercambiadores de aire PerfectWindow®** Ventile su casa para garantizar aire fresco mientras reduce la pérdida de energía



**Termostatos programables** Ahorre hasta un 30% en el costo de energía anual con este termostato fácil de usar\*.

\* Según la ubicación y el uso

MS18621A

## Automatización y control desenlace

Honeywell International Inc.  
1985 Douglas Drive North  
Golden Valley, MN 55422  
customer.honeywell.com

Honeywell Limited-Honeywell Limitée  
35, Dynamic Drive  
Toronto, Ontario M1V 4Z9



Impreso en E.U.A. en papel reciclado con un mínimo de 10% de fibras de papel postconsumidor.

® Marca Registrada en los E.U.A.  
© 2007 Honeywell International Inc. todos Los Derechos Reservados  
69-1859EFS—01 M.S. Rev. 07-07

# Honeywell